

BE14

EN

OPERATING MANUAL
VOLTAGE DETECTOR



Table of contents

Notes regarding the operating manual..... 1

Safety 2

Information about the device..... 3

Technical data 3

Transport and storage..... 3

Operation 4

Maintenance and repair 5

Disposal 5

Declaration of conformity 5

Notes regarding the operating manual

Symbols



Hazardous electric current!

Warns about hazards from electric current which can lead to injuries or even death.



Danger!

Warns of a hazard which can lead to personal injury.



Caution!

Warns of a hazard which can lead to damage to property.

The current version of the operating manual can be found at:



BE14



<http://download.trotec.com/?sku=3510205214&id=1>

Legal notice

This release replaces all previous versions. No part of this publication may be reproduced without written permission from Trotec. The same applies for electronically processing, duplicating or spreading the publication. Subject to technical changes. All rights reserved. Trademarks are used without guarantee that they may be used freely and primarily following the spelling of the manufacturer. Product names are registered.

Changes to construction in the interests of constant improvements to the product, as well as changes to the shape and colour are reserved.

The scope of delivery may vary from product images. This document was created with all due care. Trotec accepts no liability whatsoever for possible mistakes or omissions.

The only party responsible for determining measured results to be valid, drawing conclusions and deriving actions is the user! Trotec accepts no claims of warranty for the correctness of the determined measured values or measured results. Further, Trotec accepts no liability whatsoever for possible mistakes or damage which have been caused by utilising the determined measured results.

© Trotec

Warranty and liability

The device complies with the fundamental health and safety requirements of the applicable EU regulations and was tested at the factory for perfect functionality multiple times. However, if faults in the functionality occur and cannot be remedied with the measures in the chapter Errors and faults, please get in touch with your dealer or distributor.

When manufacturer's instructions or legal regulations have not been followed, or after unauthorised changes to the device are made, the manufacturer is not responsible for the resulting damages. Changes to the device or unauthorised replacement of individual parts can drastically impact the electrical safety of this product and leads to the forfeit of the warranty. Liability does not extend to damages to people or property caused by the device being used other than as described in the instructions in this operating manual. Subject to changes to technical design and model changes as part of constant development and product improvement without prior notice.

No liability is accepted for damages resulting from improper use. In such cases, entitlements to a warranty are then also forfeited.

Safety

Read this manual carefully before starting or using the device. Store the manual near the device or its site of use!

- Do not use the device in potentially explosive rooms.
- Do not use the device in aggressive atmosphere.
- Protect the device from permanent direct sunlight.
- Do not remove any safety signs, stickers or labels from the device. Keep all safety signs, stickers and labels in legible condition.
- Do not open the device with a tool.
- Observe the storage and operating conditions (see chapter Technical data).

Intended use

Only use the device for detecting alternating voltages while adhering to and following the technical data.

Improper use

The device is not suitable for the accurate measurement of voltages. Do not try to locate direct current voltages with the device. The device may not be used in potentially explosive atmospheres, when wet or very humid.

Personnel qualifications

People who use this device must:

- be aware of the dangers that occur when working with electric devices in damp areas.
- have read and understood the operating manual, especially the Safety chapter.

Residual risks



Danger!

Electric shock from contact with live parts. Do not touch any live parts. Secure neighbouring live parts by insulating them or switching them off.



Danger!

Electric shock from insufficient insulation. Check the device for damages and proper functioning before each use.

If you notice damages, no longer use the device.

Do not use the device when the device or your hands are damp or wet!

Do not use the device when the battery compartment or the housing are open.



Hazardous electric current!

Work on the electrical components must only be carried out by an authorised specialist company!



Danger!

Dangers can occur at the device when it is used by untrained people in an unprofessional or improper way! Observe the personnel qualifications!



Danger!

Do not leave the packaging lying around. Children may use it as a dangerous toy.



Danger!

The device is not a toy and does not belong in the hands of children.



Caution!

To prevent damages to the device, do not expose it to extreme temperatures, extreme humidity or moisture.



Caution!

Do not use abrasive cleaners or solvents to clean the device.

Information about the device

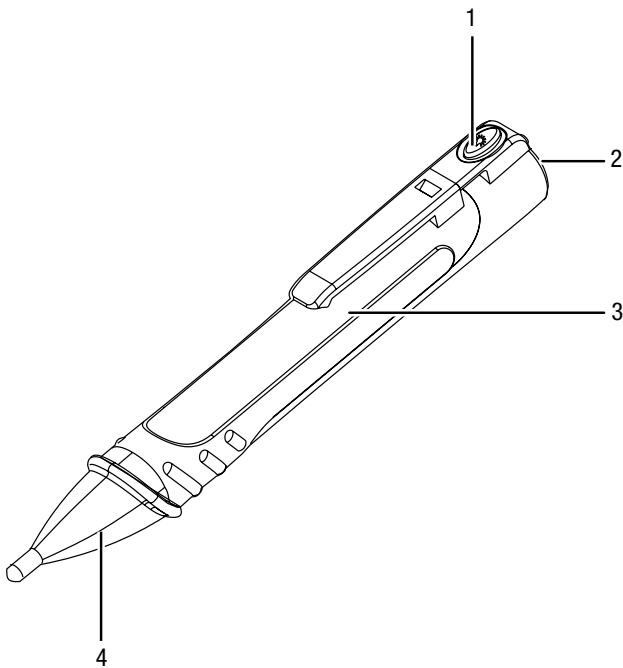
Device description

The voltage detector detects alternating voltage (AC) and signals it to the user via a flashing LED and an acoustic signal.

The device can be used for finding a cable break or determining the presence of alternating voltage in fuses, wires and cables.

Additionally the measuring device is equipped with an integrated LED torch.

Device depiction



No.	Designation
1	Power button LED torch
2	LED torch
3	Battery compartment with cover
4	Measuring tip

Technical data

Parameter	Value
Detection range	100 V AC to 1000 V AC
Overvoltage category	CAT IV 600 V, CAT III 1000 V
Degree of pollution	2
Battery type	2 x 1.5 V batteries AAA (Micro)
Weight	48.5 g
Surrounding conditions	-10 °C to 50 °C with max. 95 % RH
Storage conditions	-10 °C to 50 °C with max. 95 % RH

Scope of delivery

- 1 x Voltage detector BE14
- 2 x 1.5 V batteries AAA (Micro)
- 1 x Getting started guide

Transport and storage

Transport

For transporting the device use a suitable bag to protect it from external influences.

Storage

When the device is not being used, observe the following storage conditions:

- dry,
- protected from dust and direct sunlight,
- with a cover to protect it from invasive dust, if necessary.

Operation

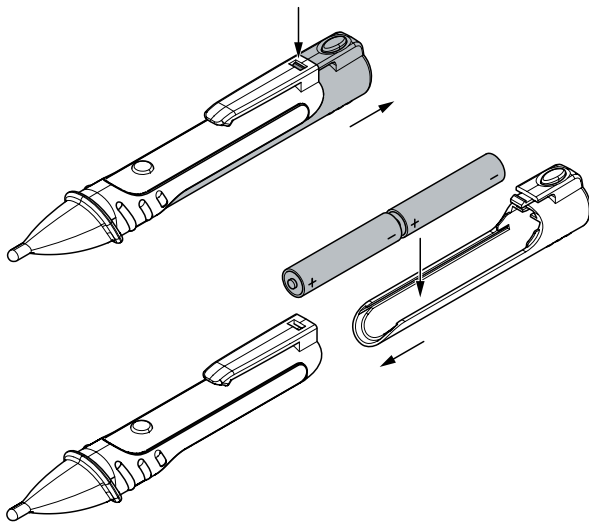
Inserting the batteries

Insert the batteries contained in the scope of delivery (1 x 1.5 V AAA) before first use.

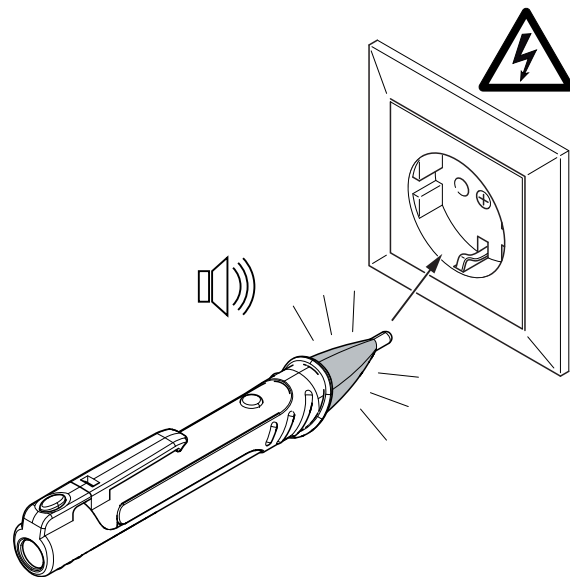


Caution!

Make sure that the surface of the device is dry and the device is switched off.

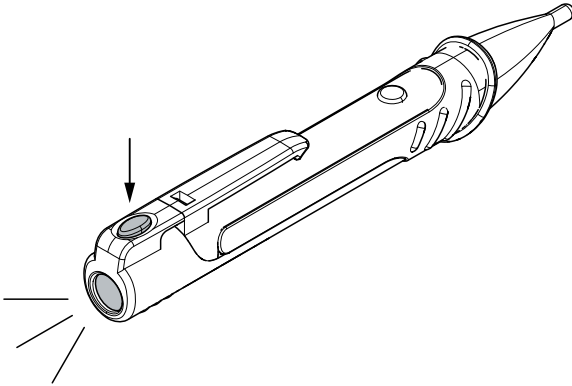


Using the device



1. Check the voltage detector for proper functioning **before each measurement**. To do so, hold the measuring tip (4) to a known source of voltage.
 - ⇒ The measuring tip (4) flashes red.
 - ⇒ A repetitive beep is emitted.
2. Detect an unknown voltage source by moving the measuring tip of the voltage detector along the surface to be tested. The presence of voltage is shown as follows:
 - ⇒ The measuring tip (4) flashes red.
 - ⇒ A repetitive beep is emitted.

Torch



- To switch on the LED torch, press and hold button 1.
- The LED turns off as soon as you release button 1.

Maintenance and repair

Cleaning

Clean the device with a soft, damp and lint-free cloth. Ensure that no moisture enters the housing. Do not use any sprays, solvents, alcohol-based cleaning agents or abrasive cleaners, but only clean water to moisten the cloth.

Repair

Do not modify the device or install any spare parts. For repairs or device testing, contact the manufacturer.

Battery change

A battery change is required when the device can no longer be switched on (see chapter Inserting the batteries).

Disposal



In the European Union, electronic equipment must not be treated as domestic waste, but must be disposed of professionally in accordance with Directive 2002/96/EC of the European Parliament and of the Council of 27 January 2003 on waste electrical and electronic equipment (WEEE). At the end of its life, please dispose of this device according to the valid legal requirements.

Declaration of conformity

in accordance with the EC Low Voltage Directive 2006/95/EC and the EC Directive 2004/108/EC about electromagnetic compatibility.

Herewith, we declare that the device BE14 was developed, constructed and produced in compliance with the named EC directives.

The **CE** marking is found on the rear of the device.

Manufacturer:

Trotec GmbH & Co. KG

Grebbeener Straße 7

D-52525 Heinsberg

Phone: +49 2452 962-400

Fax: +49 2452 962-200

E-mail: info@trotec.com

Heinsberg, 01.09.2015

Detlef von der Lieck

Managing Director

Trotec GmbH & Co. KG

Grebbener Str. 7
D-52525 Heinsberg

☎ +49 2452 962-400

☎ +49 2452 962-200

✉ info@trotec.com

www.trotec.com