

PVD2 / PVD3 / PVD4

EN

OPERATING MANUAL
CABLE DRUM



Table of contents

Notes regarding the operating manual..... 2

Safety 2

Information about the device..... 4

Transport and storage..... 5

Operation 6

Cleaning 6

Errors and faults..... 6

Disposal 6

Notes regarding the operating manual

Symbols



Warning of electrical voltage

This symbol indicates dangers to the life and health of persons due to electrical voltage.



Warning

This signal word indicates a hazard with an average risk level which, if not avoided, can result in serious injury or death.



Caution

This signal word indicates a hazard with a low risk level which, if not avoided, can result in minor or moderate injury.

Note

This signal word indicates important information (e.g. material damage), but does not indicate hazards.



Info

Information marked with this symbol helps you to carry out your tasks quickly and safely.



Follow the manual

Information marked with this symbol indicates that the operating manual must be observed.

You can download the current version of the operating manual and the EU declaration of conformity via the following link:



PVD2



<https://hub.trotec.com/?id=44799>

PVD3 / PVD4



<https://hub.trotec.com/?id=43686>

Safety

Read this manual carefully before starting or using the device. Always store the manual in the immediate vicinity of the device or its site of use.



Warning

Read all safety warnings and all instructions.

Failure to follow the warnings and instructions may result in electric shock, fire and/or serious injury.

Save all warnings and instructions for future reference.

This appliance can be used by children aged from 8 years and above and persons with reduced physical, sensory or mental capabilities or lack of experience and knowledge if they have been given supervision or instruction concerning use of the appliance in a safe way and understand the hazards involved.

Children shall not play with the appliance. Cleaning and user maintenance shall not be made by children without supervision.

- Do not use the device in potentially explosive rooms.
- Do not use the device in aggressive atmosphere.
- Do not use the device with wet or damp hands.
- Do not immerse the device in water.
- This appliance is not a toy. Keep away from children and animals. Do not leave the device unattended during operation.
- Check the device for potential damage before each application. Do not use any defective devices or device parts.
- Never use the device if electric cables or the power connection are damaged!

- Insert the mains plug into a properly secured mains socket.
- Observe the following safety rules when performing work on the electrical equipment: 1. De-energise, 2. Secure against restart, 3. Verify de-energised state, 4. Earth and short-circuit, 5. Cover or fence off live parts.
- Before carrying out maintenance, care or repair work on the device, remove the mains plug from the mains socket. Hold onto the mains plug while doing so.
- Do not under any circumstances use the device if you detect damages on the mains plug or power cable. If the supply cord is damaged, it must be replaced by the manufacturer, his service agent or similarly qualified persons in order to avoid a hazard. Defective power cables pose a serious health risk!
- Observe the storage and operating conditions as given in the Technical data chapter.
- Do not expose the device to heat or direct sunlight.
- Do not remove any safety signs, stickers or labels from the device. Keep all safety signs, stickers and labels in legible condition.
- Any operation other than as described in this manual is prohibited. Non-observance renders all claims for liability and guarantee null and void.

Intended use

The device serves as extension line for electrical connections. For the PVD2 model, the sum of the maximum permissible connected load must not exceed 3600 watts when unreeled and 1300 watts when rolled up. For the PVD3 and PVD4 models, the sum of the maximum permissible connected load must not exceed 3500 watts when unreeled and 1250 watts when rolled up.

Improper use

Do not use the device in potentially explosive areas. Do not place the device on wet or flooded ground.

Any unauthorised changes, modifications or alterations to the device are forbidden.

Personnel qualifications

People who use this device must:

- have read and understood the operating manual, especially the Safety chapter.



Initial start-up and maintenance tasks which require the housing to be opened must only be carried out by qualified electricians.

Symbols on the device


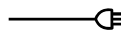
Note

Do not remove any safety signs, stickers or labels from the device. Keep all safety signs, stickers and labels in legible condition.

The following safety signs and labels are attached to the cable drum PVD2:

Symbols	Meaning
 1300W 230V	This symbol located on the device indicates that, when rolled up, the maximum connected load must not exceed 1300 watts.
 3600W 230V	This symbol located on the device indicates that, when unreeled, the maximum connected load must not exceed 3600 watts.

The following safety signs and labels are attached to the cable drums PVD3 and PVD4:

Symbols	Meaning
 1250W 230V	This symbol located on the device indicates that, when rolled up, the maximum connected load must not exceed 1250 watts.
 3500W 230V	This symbol located on the device indicates that, when unreeled, the maximum connected load must not exceed 3500 watts.

Residual risks



Warning of electrical voltage

Before any work on the device, remove the mains plug from the mains socket!
Hold onto the mains plug while pulling the power cable out of the mains socket.



Warning

Risk of suffocation!
Do not leave the packaging lying around. Children may use it as a dangerous toy.



Warning

The device is not a toy and does not belong in the hands of children.



Warning

Dangers can occur at the device when it is used by untrained people in an unprofessional or improper way!
Observe the personnel qualifications!



Caution

Keep a sufficient distance from heat sources.

Note

To prevent damages to the device, do not expose it to extreme temperatures, extreme humidity or moisture.

Note

Do not use abrasive cleaners or solvents to clean the device.

Behaviour in the event of an emergency

1. In an emergency, disconnect the device from the mains feed-in:
Pull the mains plug.
2. Do not reconnect a defective device to the mains.

Information about the device

Device description

The cable drum PVD2 is fitted with a black cable of 25 m length. The cable drum PVD3 is fitted with a black cable of 40 m length; the cable drum PVD4 is fitted with a yellow cable of 40 m length.

The cable drum comes equipped with dust- and water-jet-proof safety sockets with hinged covers and sealing edge meeting the requirements of protection type IP 54. The cable drum PVD2 has three sockets; the cable drums PVD3 and PVD4 have four sockets.

The drum is provided with drainage openings. There are also two slots for safe plug storage.

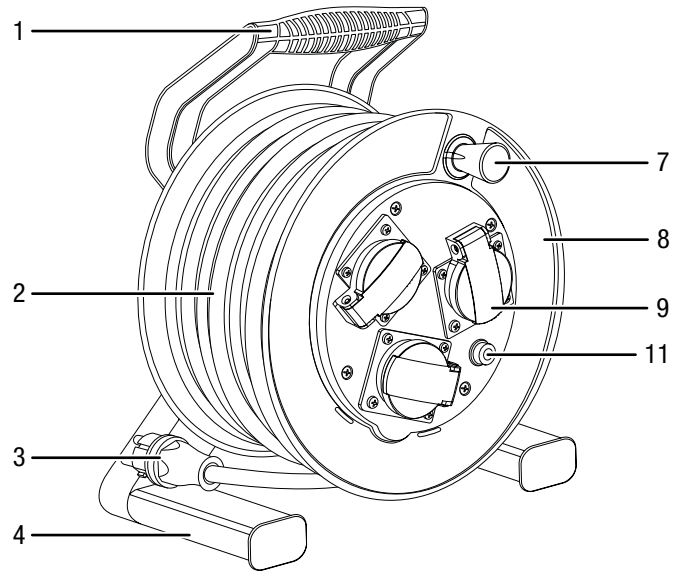
An ergonomic carrying handle facilitates transport.

Broad support points ensure a secure footing of the cable drum. A thermal circuit breaker and a central braking system for the drum provide additional safety.

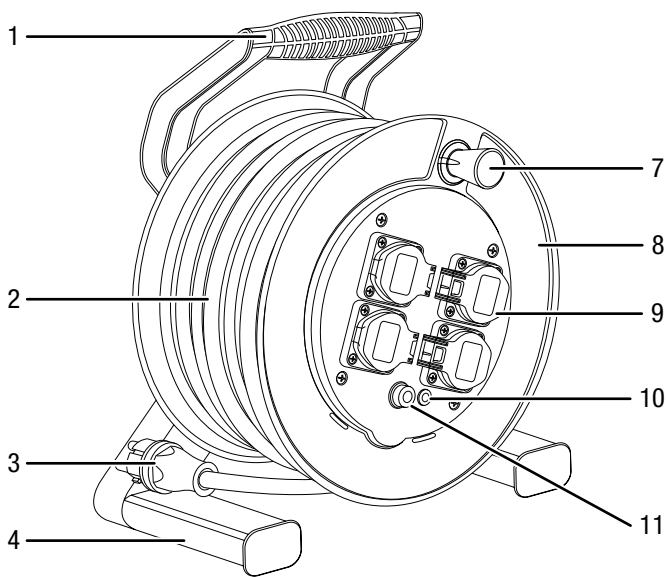
In addition, the cable drums PVD3 and PVD4 are equipped with a voltage indicator light.

Device depiction

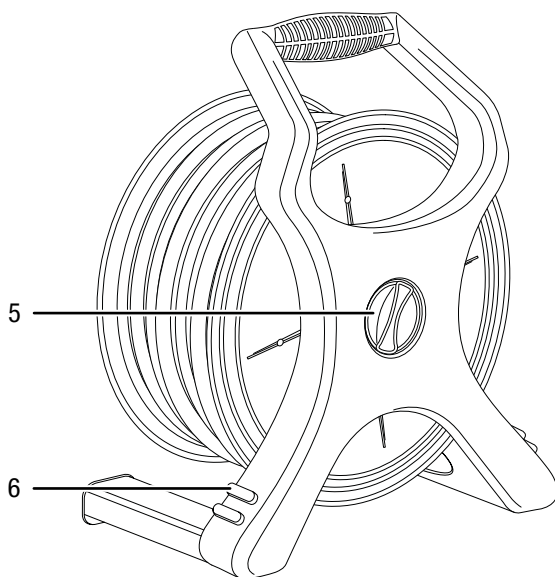
Front view PVD2



Front view PVD3 and PVD4



Rear view



No.	Designation
1	Carrying handle
2	Cable
3	Plug
4	Support point
5	Braking system
6	Slot for plug storage
7	Crank
8	Drum
9	Safety socket
10	Voltage indicator light
11	Thermal circuit breaker

Technical data

Parameter	PVD2	PVD3 / PVD4
Cable length	25 m	40 m
Cable cross-section	1.5 mm ²	2.5 mm ²
Max. power, rolled up	1300 W	1250 W
Max. power, unreeled	3600 W	3500 W
Nominal voltage	250 V	250 V
Nominal current	16 A	16 A
Number of sockets	3	4
Type of protection	IP 54	IP 54
Storage (temperature)	-30 °C to 50 °C	-30 °C to 50 °C
Dimensions (length x width x height)	240 mm x 280 mm x 352 mm	254 mm x 338 mm x 409 mm
Weight (packaging excluded)	approx. 8 kg	approx. 10 kg

Transport and storage

Note

If you store or transport the device improperly, the device may be damaged.

Note the information regarding transport and storage of the device.

Transport

To make the device easier to transport, it is fitted with a carry handle.

Before transporting the device, observe the following:

- Roll up the cable completely.
- Put the plug into one of the two slots for plug storage.
- Make sure that the braking system of the drum prevents an inadvertent unreeling of the cable.

Storage

When the device is not being used, observe the following storage conditions:

- dry and protected from frost and heat
- protected from dust and direct sunlight
- with a cover to protect it from invasive dust, if necessary
- The storage temperature is the same as the range given in the Technical data chapter.

Operation

Connecting the cable drum

- Unreel the cable to the desired length so as to operate consumers with a total power of up to 1300 watts (PVD2) or 1250 watts (PVD3 / PVD4).
- Unreel the cable completely to operate consumers with a total power of more than 1300 watts (PVD2) or 1250 watts (PVD3 / PVD4).
- Do not create tripping hazards when laying the cable.
- Insert the mains plug into a properly secured socket. On the PVD3 and PVD4 models, the voltage indicator light (10) lights up.
- Connect consumers to the cable drum.

Thermal circuit breaker

The cable drum is equipped with a thermal circuit breaker interrupting the current flow in case of overheating of the cable drum.

The thermal circuit breaker can be tripped if the cable drum has not been unrolled completely or if the maximum rated power of the consumer is too high.

Please proceed as follows if the thermal circuit breaker is activated:

1. Pull the plug (3) from the socket.
2. Disconnect the consumer from the safety socket (9).
3. Unreel the cable completely.
4. Allow the cable to cool down completely.
5. Actuate the thermal circuit breaker (11).
⇒ Now you can use the cable drum again.

Cleaning



Warning of electrical voltage

Before any work on the device, remove the mains plug from the mains socket!

Hold onto the mains plug while pulling the power cable out of the mains socket.

Clean the device with a soft, damp and lint-free cloth. Ensure that no moisture enters the housing. Protect electrical components from moisture. Do not use any aggressive cleaning agents such as cleaning sprays, solvents, alcohol-based or abrasive cleaners to dampen the cloth.

Wipe the housing dry after cleaning.

Errors and faults

The device has been checked for proper functioning several times during production. If malfunctions occur nonetheless, check the device according to the following list.

- Check the cable for damage.
- Check whether the mains plug is inserted into a properly secured socket.
- Check whether the thermal circuit breaker has been activated and, if necessary, deactivate it as described in chapter Operation.

Disposal



The icon with the crossed-out waste bin on waste electrical or electronic equipment stipulates that this equipment must not be disposed of with the household waste at the end of its life. You will find collection points for free return of waste electrical and electronic equipment in your vicinity. The addresses can be obtained from your municipality or local administration. For further return options provided by us please refer to our website <https://de.trotec.com/shop/>.

The separate collection of waste electrical and electronic equipment aims to enable the re-use, recycling and other forms of recovery of waste equipment as well as to prevent negative effects for the environment and human health caused by the disposal of hazardous substances potentially contained in the equipment.

Trotec GmbH

Grebener Str. 7
D-52525 Heinsberg

☎ +49 2452 962-400

☎ +49 2452 962-200

✉ info@trotec.com

www.trotec.com