

EN

OPERATING MANUAL  
POWER DISTRIBUTOR



**Table of contents**

Notes regarding the operating manual..... 2

Safety ..... 2

Information about the device..... 4

Transport and storage..... 5

Start-up..... 5

Operation ..... 5

Cleaning ..... 6

Errors and faults..... 6

Maintenance ..... 6

Disposal ..... 6

**Notes regarding the operating manual**

**Symbols**



**Warning of electrical voltage**

This symbol indicates dangers to the life and health of persons due to electrical voltage.



**Warning**

This signal word indicates a hazard with an average risk level which, if not avoided, can result in serious injury or death.



**Caution**

This signal word indicates a hazard with a low risk level which, if not avoided, can result in minor or moderate injury.

**Note**

This signal word indicates important information (e.g. material damage), but does not indicate hazards.



**Info**

Information marked with this symbol helps you to carry out your tasks quickly and safely.



**Follow the manual**

Information marked with this symbol indicates that the operating manual must be observed.

You can download the current version of the operating manual and the EU declaration of conformity via the following link:



PV30



<https://hub.trotec.com/?id=46148>

**Safety**

**Read this manual carefully before starting or using the product. Always store the manual in the immediate vicinity of the product or its site of use.**

- Do not use the device in potentially explosive rooms.
- Do not use the device in aggressive atmosphere.
- Do not use the device with wet or damp hands.
- Do not immerse the device in water.
- This appliance is not a toy. Keep away from children and animals. Do not leave the device unattended during operation.
- Check the device for potential damage before each application. Do not use any defective devices or device parts.
- Never use the device if electric cables or the power connection are damaged!
- Insert the CEE plug into a properly secured CEE socket.
- Observe the following safety rules when performing work on the electrical equipment: 1. De-energise, 2. Secure against restart, 3. Verify de-energised state, 4. Earth and short-circuit, 5. Cover or fence off live parts.
- Before carrying out maintenance, care or repair work on the device, remove the mains plug from the mains socket. Hold onto the mains plug while doing so.
- Do not under any circumstances use the device if you detect damages on the mains plug or power cable. If the supply cord is damaged, it must be replaced by the manufacturer, his service agent or similarly qualified persons in order to avoid a hazard. Defective power cables pose a serious health risk!
- Observe the storage and operating conditions as given in the Technical data chapter.
- Do not expose the device to heat or direct sunlight.
- Do not remove any safety signs, stickers or labels from the device. Keep all safety signs, stickers and labels in legible condition.

- Any operation other than as described in this manual is prohibited. Non-observance renders all claims for liability and guarantee null and void.

### Intended use

The device serves as mobile power distributor.

The power distributor is designed for indoor and outdoor applications.

Only use power distributors matching the protection type required at the application site.

Never stack more than max. 4 devices on top of one another.

### Improper use

Any unauthorised changes, modifications or alterations to the device are forbidden.

Do not use the device in potentially explosive areas. Do not place the device on wet or flooded ground.

### Personnel qualifications

People who use this device must:

- have read and understood the operating manual, especially the Safety chapter.

Initial start-up and maintenance tasks which require the housing to be opened must only be carried out by qualified electricians.

### Electrically skilled person

Electrically skilled personnel must be able to read and understand electric circuit diagrams, to put electrical systems into service and to maintain them, to wire control cabinets, to ensure the functionality of electrical components and to identify possible hazards from electrical and electronic systems.

### Residual risks



#### Warning of electrical voltage

Work on the electrical components must only be carried out by a qualified electrician!



#### Warning of electrical voltage

Before any work on the device, remove the mains plug from the mains socket!

Do not touch the mains plug with wet or damp hands. Hold onto the mains plug while pulling the power cable out of the mains socket.



#### Warning of electrical voltage

Have loose or defective mounting sockets replaced by a qualified electrician.



#### Warning of electrical voltage

Connection and extension lines must not be kinked, jammed or run over.



#### Warning

Covering the power distributor can lead to heat build-up within the housing possibly resulting in a fire. Never cover the power distributor. Do not place any objects on the power distributor.



#### Warning

Risk of suffocation!

Do not leave the packaging lying around. Children may use it as a dangerous toy.



#### Warning

The device is not a toy and does not belong in the hands of children.



#### Warning

Dangers can occur at the device when it is used by untrained people in an unprofessional or improper way! Observe the personnel qualifications!



#### Caution

Keep a sufficient distance from heat sources.

#### Note

To prevent damages to the device, do not expose it to extreme temperatures, extreme humidity or moisture.

#### Note

Do not use abrasive cleaners or solvents to clean the device.

### Behaviour in the event of an emergency

1. In an emergency, disconnect the device from the mains feed-in:  
Pull the mains plug.
2. Do not reconnect a defective device to the mains.

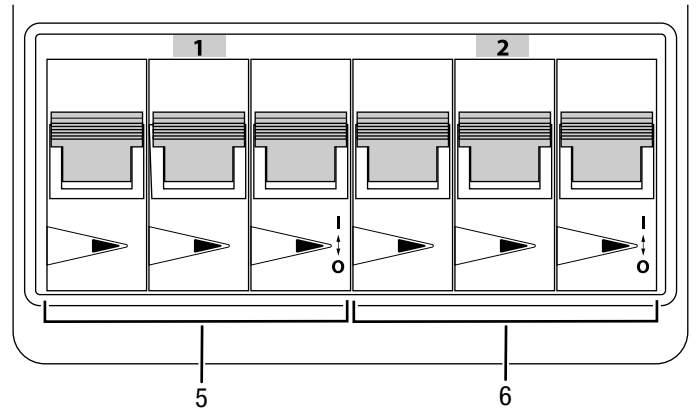
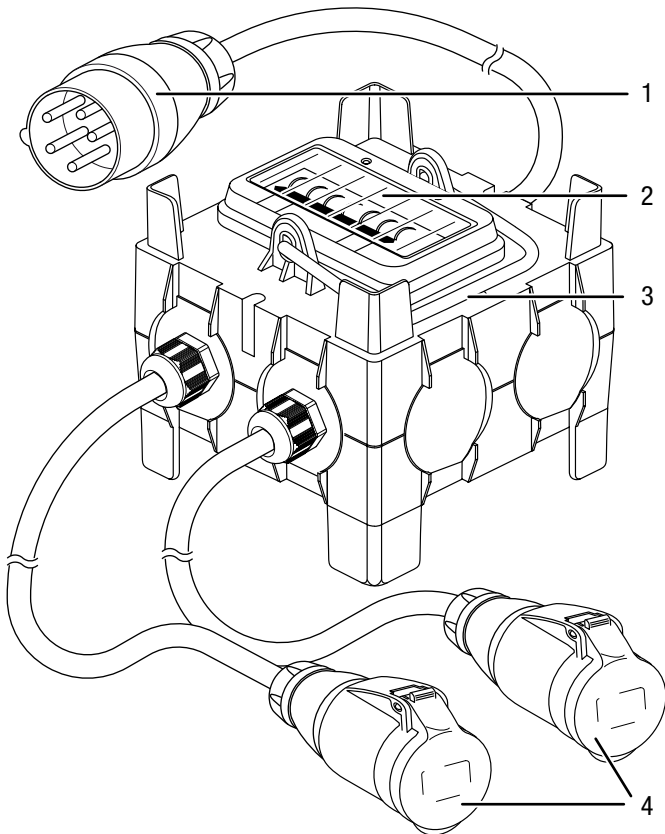
**Information about the device**

**Device description**

The device serves for the mobile distribution of electricity at varying application sites. It comes with the following device characteristics:

- Supply line of 2 m length with 5-pin CEE plug
- 2 CEE couplings of 400 V 16 A each
- Stackable, dust- and splash-proof housing which is characterized by a high (notched bar) impact strength, a high thermal stability, dielectric strength, weather and UV resistance, abrasion resistance and a good resistance to plenty of chemicals
- A foldable carrying handle facilitating transport
- 2 circuit breakers (3-pole) ensuring the necessary safety

**Device depiction**



No.	Designation
1	Supply line with CEE three-phase plug, 32 A, 5-pin, 400 V
2	Protective flap for circuit breakers
3	Carrying handle
4	CEE output couplings, 16 A, 5-pin, 400 V
5	Circuit breaker, 3-pole, output 1
6	Circuit breaker, 3-pole, output 2

**Technical data**

Parameter	Value
Model	PV30
Type of protection	IP 44
Protection class	II (double insulation) / <input type="checkbox"/>
Weight (packaging excluded)	approx. 4.5 kg
<b>Input</b>	
Nominal input voltage	400 V
Nominal input current	32 A
Input connection	CEE three-phase plug, 32 A, 5-pin, 400 V
Input line	H07RN-F-5G4
Cable length	2 m
Cable cross-section	4 mm <sup>2</sup>
<b>Two outputs</b>	
Nominal output voltage	400 V
Nominal output current	16 A
Output connection	CEE coupling, 16 A, 5-pin, 400 V
Output line	H07RN-F-5G2,5
Cable length	2 m
Cable cross-section	2.5 mm <sup>2</sup>

## Transport and storage

### Note

If you store or transport the device improperly, the device may be damaged.

Note the information regarding transport and storage of the device.

### Transport

To make the device easier to transport, it is fitted with a carry handle.

**Before** transporting the device, observe the following:

- Disconnect the CEE plug of the supply line (1) from the mains connection.
- Disconnect connected consumer from both CEE couplings (4).

### Storage

When the device is not being used, observe the following storage conditions:

- dry and protected from frost and heat
- protected from dust and direct sunlight
- with a cover to protect it from invasive dust, if necessary
- The storage temperature is the same as the range given in the Technical data chapter.

## Start-up



### Warning of electrical voltage

Work on the electrical components must only be carried out by a qualified electrician!



### Warning of electrical voltage

Before any work on the device, remove the mains plug from the mains socket!

Do not touch the mains plug with wet or damp hands.

Hold onto the mains plug while pulling the power cable out of the mains socket.

- Do not create tripping hazards when laying the power cable or other electric cables when positioning the device. If necessary, use cable bridges.
- Make sure that extension cables are unrolled completely.
- Do not cover the device.
- Do not place any further objects on the device.
- Insert the CEE plug into a properly secured socket.

## Operation

### Connecting the power distributor



### Warning of electrical voltage

The device is not equipped with a residual current device!

Only connect the device if you have ensured that a residual current device is used in the mains connection.

- ✓ The two 3-pole circuit breakers (5, 6) are set to the switch position I.
- 1. Insert the CEE plug of the supply line (1) into a properly secured CEE socket provided with a fusing of 32 A.
- 2. Install the supply lines of the consumers to be connected. Do not create tripping hazards when laying the cables.
- 3. Connect the consumers' supply lines to the CEE couplings (4) of the power distributor. In doing so, make sure to observe the performance characteristics specified in the Technical data chapter.

### Circuit breaker(s)

Each output of the device is equipped with a 3-pole circuit breaker (5, 6) which protect the connected lines and consumers from overload and short circuit. Both circuit breakers (5, 6) and the corresponding CEE couplings (4) are numbered 1 and 2.

Please proceed as follows if one of the circuit breakers (5 or 6) is tripped:

1. Open the protective flap (2) above the circuit breakers.
2. Switch the tripped circuit breaker (5 or 6) to the switch position I.
3. If the circuit breaker (5 or 6) trips again, disconnect the circuit / consumer from the corresponding CEE coupling (4) according to the number.
4. Have the defective circuit / consumer checked by a qualified electrician or a specialist electrical company.

## Cleaning



### Warning of electrical voltage

Before any work on the device, remove the mains plug from the mains socket!

Do not touch the mains plug with wet or damp hands. Hold onto the mains plug while pulling the power cable out of the mains socket.

Clean the device with a soft, damp and lint-free cloth. Ensure that no moisture enters the housing. Protect electrical components from moisture. Do not use any aggressive cleaning agents such as cleaning sprays, solvents, alcohol-based or abrasive cleaners to dampen the cloth.

Wipe the housing dry after cleaning.

## Errors and faults

The device has been checked for proper functioning several times during production. If malfunctions occur nonetheless, check the device according to the following list.

- Check the cable and the CEE plug for damages.
- Check whether the CEE plug of the supply line is inserted into a properly secured CEE socket.
- Check whether the residual current device has tripped and, if necessary, deactivate it.
- Check whether one of the two circuit breakers has tripped and, if necessary, deactivate it as described in chapter Operation.

## Maintenance

### Visual inspection

Check the device for external damage before every start-up. Should you detect any damage at the device or its mains cable, have it fixed by a qualified electrician.

### Regular inspections



### Warning of electrical voltage

Work on the electrical components must only be carried out by a qualified electrician!

The device must be regularly checked by a qualified electrician for proper functioning and proper condition. If used in office spaces or similar ambient conditions, this inspection shall be carried out at least every 2 years. If used on construction and installation sites, the inspection shall be carried out every 3 months. If an error rate of < 2 % is reached, the inspection intervals may be extended to max. once per year.

## Disposal



The icon with the crossed-out waste bin on waste electrical or electronic equipment stipulates that this equipment must not be disposed of with the household waste at the end of its life. You will find collection points for free return of waste electrical and electronic equipment in your vicinity. The addresses can be obtained from your municipality or local administration. You can also find out about other return options that apply for many EU countries on the website <https://hub.trotec.com/?id=45090>. Otherwise, please contact an official recycling centre for electronic and electrical equipment authorised for your country.

The separate collection of waste electrical and electronic equipment aims to enable the re-use, recycling and other forms of recovery of waste equipment as well as to prevent negative effects for the environment and human health caused by the disposal of hazardous substances potentially contained in the equipment.

Trotec GmbH

Grebener Str. 7  
D-52525 Heinsberg

☎ +49 2452 962-400

☎ +49 2452 962-200

✉ [info@trotec.com](mailto:info@trotec.com)

[www.trotec.com](http://www.trotec.com)